

AIRGUARD INSTALLATION INSTRUCTIONS

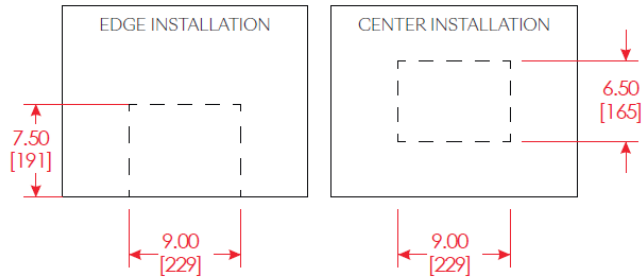
AirGuard Extreme Plus—GTAG7—(116-800-007)

AirGuard Extreme Plus Split —GTAG7-SP—

(116-800-007-Split)

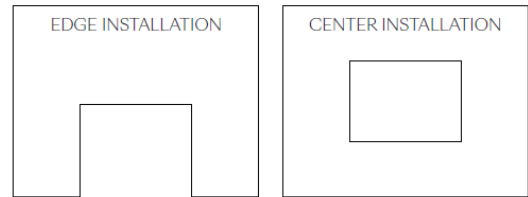
AIRGUARD[®]
the cool choice.™

1



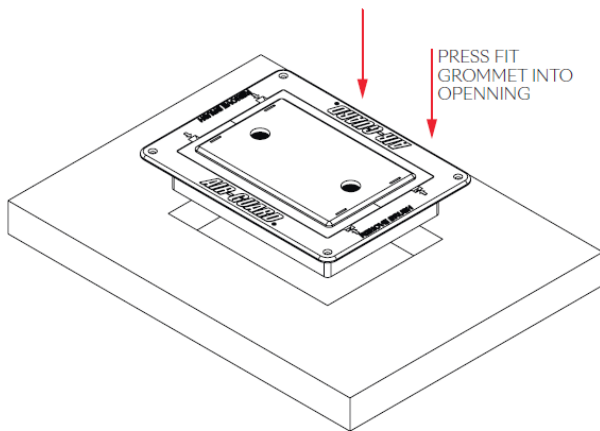
MARK CUTOUT LOCATION ON ACCESS FLOOR PANEL.

2



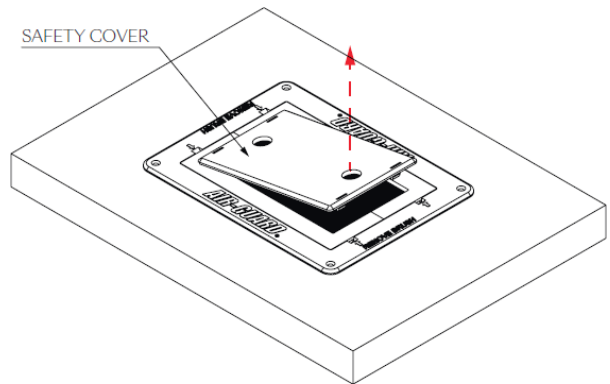
CUT ACCESS FLOOR PANEL WITH MANUFACTURERS RECOMMENDED METHOD. BE SURE TO FOLLOW ALL RECOMMENDED SAFETY PROCEDURES

3



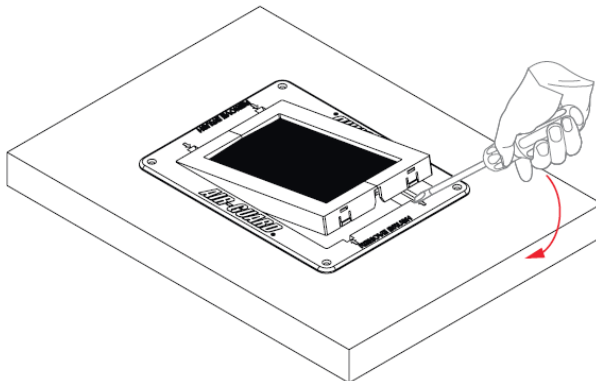
CLEAN PANEL SURFACE, REMOVE ADHESIVE STRIPS AND PRESS FIT GROMMET INTO OPENNING. SCREW DOWN INSTALLATION IS OPTIONAL USING SUPPLIED FASTENERS. PILOT HOLES ARE RECOMMENDED

4



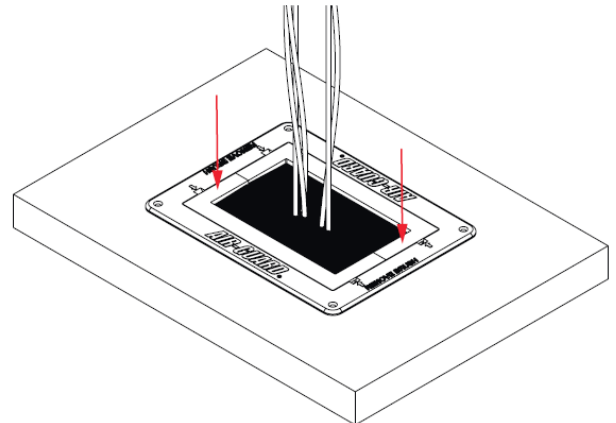
REMOVE SAFETY COVER AT CABLE INSTALLATION

5



USING A STANDARD SLOTTED DRIVER, REMOVE BRUSH CARTRIDGES TO INSTALL CABLES

6



SNAP BRUSH CARTRIDGES BACK INTO PLACE AROUND CABLES

Toll-Free (866) 631-4238

Email: sales@pducables.com

www.pducables.com

PDU  **Cables**[™]
connect with us[™]