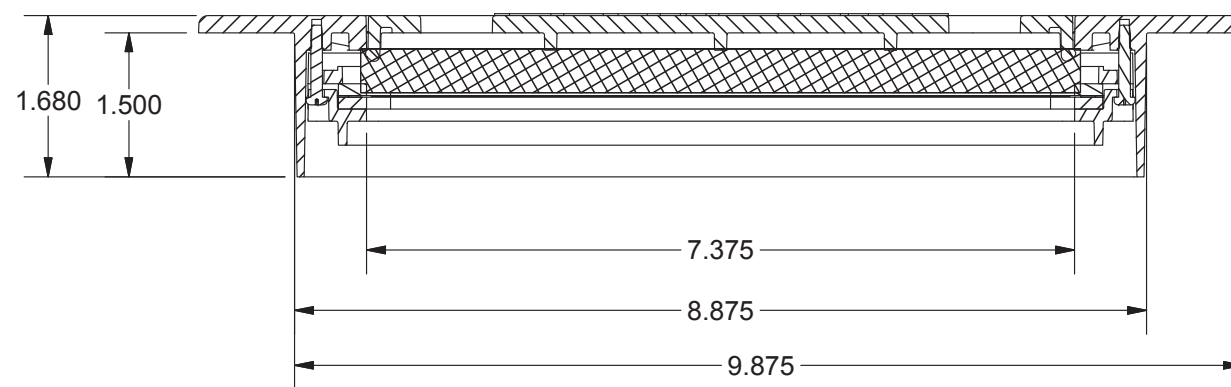


SECTION A-A
SCALE 1 / 2



SECTION B-B
SCALE 1 / 2

NOTES:

- RECOMMENDED FLOOR TILE CUT-OUT DIMENSIONS.
 - CENTER OF TILE = 6.5 X 9.0
 - LONG SIDE OF GROMMET ON EDGE OF TILE = 7.5 X 9.0
 - SHORT SIDE OF GROMMET ON EDGE OF TILE = 6.5 X 10.0

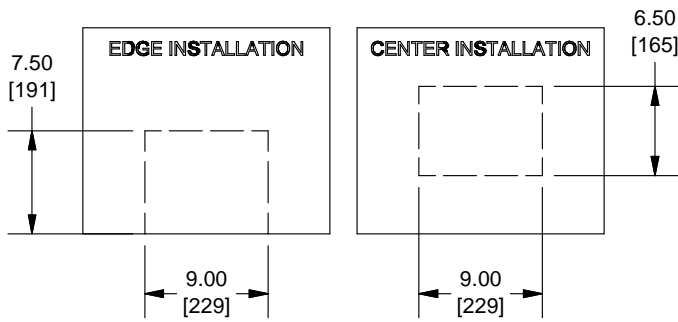
AIR|GUARD[®]
the cool choice.™

Air Guard Extreme Dimensional Drawing

This document and the information on it is the property of PDU Cables. PDU Cables is a trademark of Engineered Products Company.

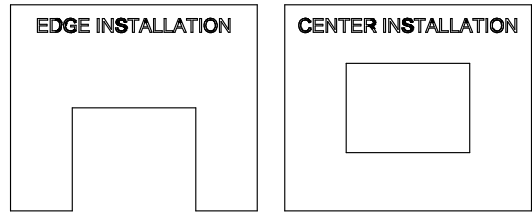
Drawing No.:	350006	Page 1 Of	1
Date:	12/10/2008	Revision	1
Part No.:	116-800-015		

1



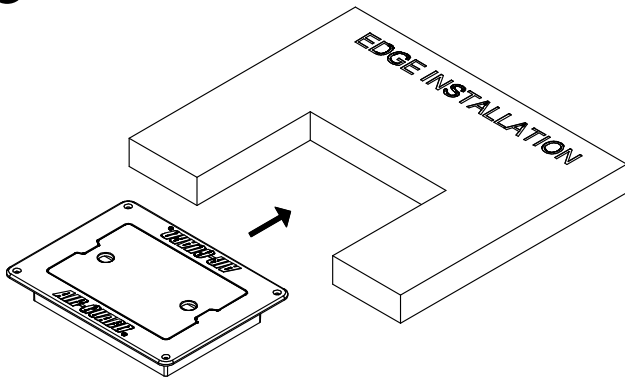
MARK CUTOUT LOCATION ON ACCESS FLOOR PANEL.
(SEE TEMPLATE ON BACK)

2

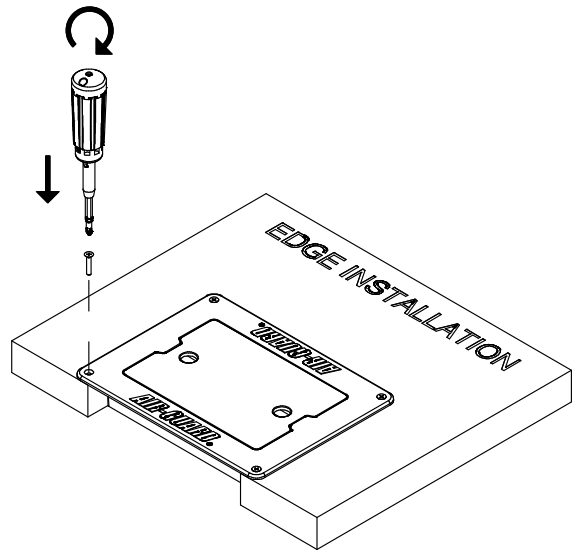


CUT ACCESS FLOOR PANEL WITH MANUFACTURERS
RECOMMENDED METHOD. BE SURE TO FOLLOW ALL
RECOMMENDED SAFETY PROCEDURES.

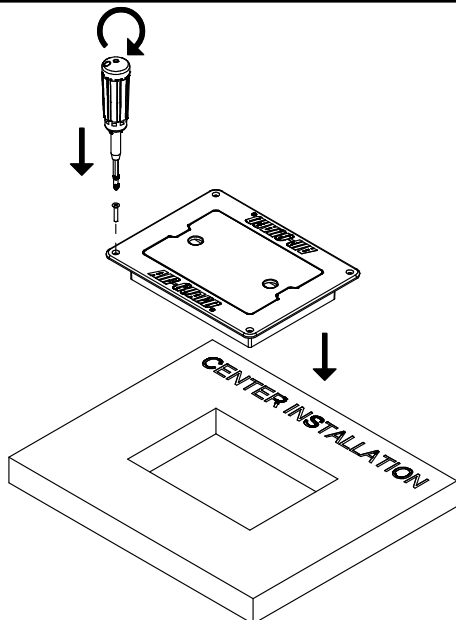
3



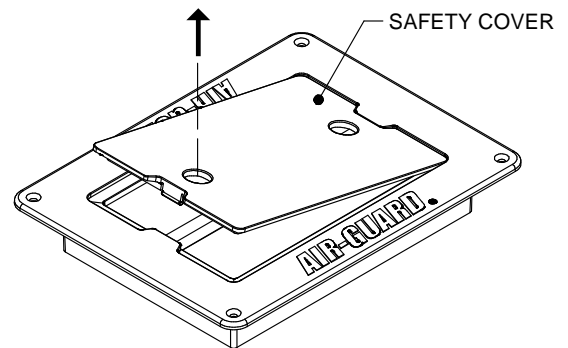
4



5



6



REMOVE SAFETY COVER AT CABLE INSTALLATION.

AIR GUARD EXTREME PN 116-800-015

