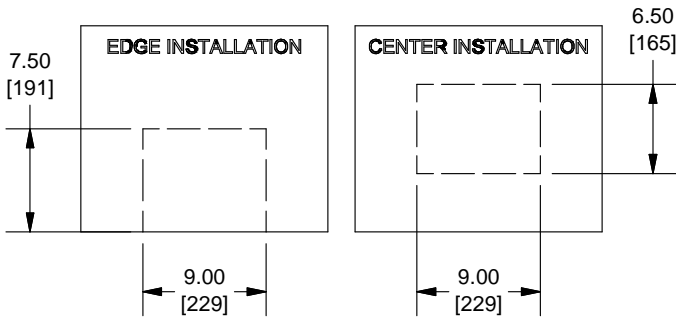
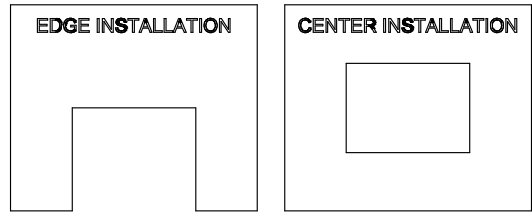


1



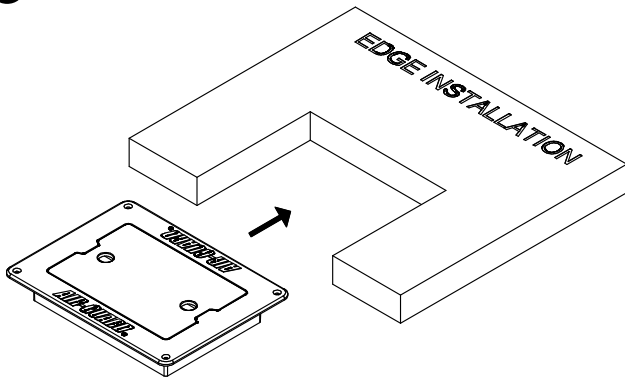
MARK CUTOUT LOCATION ON ACCESS FLOOR PANEL.  
(SEE TEMPLATE ON BACK)

2

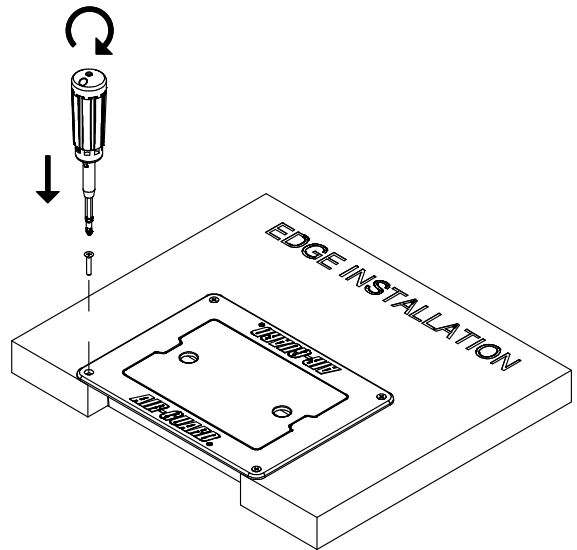


CUT ACCESS FLOOR PANEL WITH MANUFACTURERS  
RECOMMENDED METHOD. BE SURE TO FOLLOW ALL  
RECOMMENDED SAFETY PROCEDURES.

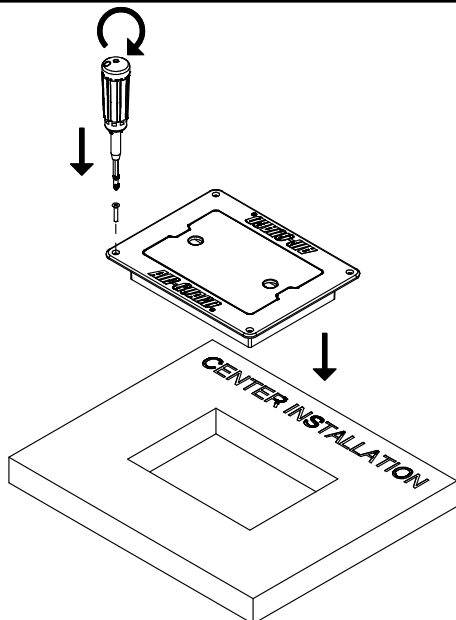
3



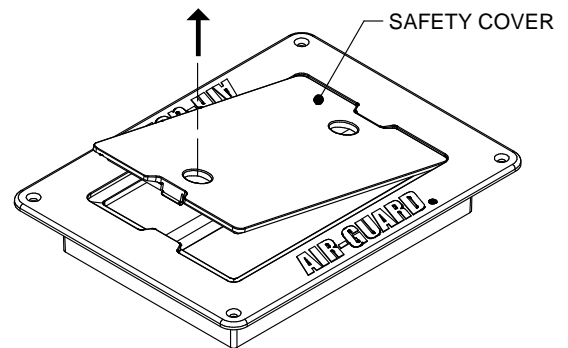
4



5



6



REMOVE SAFETY COVER AT CABLE INSTALLATION.

AIR GUARD EXTREME PN 116-800-015

