

AIRGUARD®
the cool choice.™

BRAT Airguard Dimensional Drawing

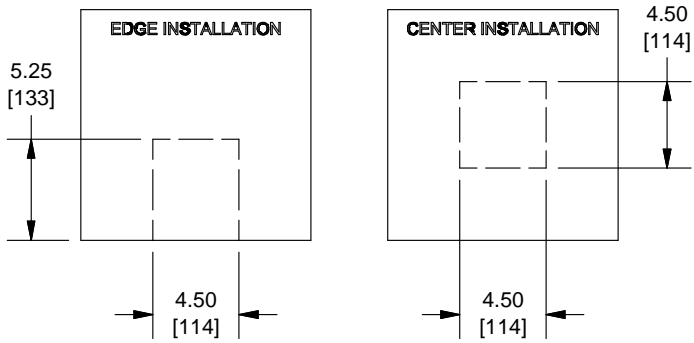
This document and the information on it is the property of PDU Cables. PDU Cables is a trademark of Engineered Products Company.

NOTES:

- 1 RECOMMENDED FLOOR TILE CUT-OUT DIMENSIONS
- CENTER OF TILE = 4.5" X 4.5"
- LONG SIDE OF GROMMET ON EDGE OF TILE = 5.25" X 4.5"

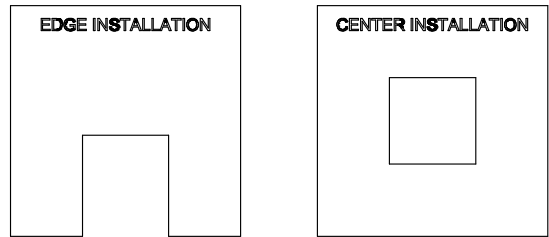
Drawing No.:	7/11/2010	Page 1 Of	1
Date:		Revision	1
Part No.:	116-800-030		

1



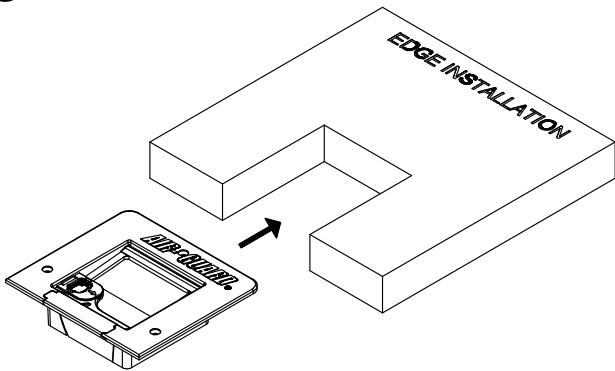
MARK CUTOUT LOCATION ON ACCESS FLOOR PANEL.
(SEE TEMPLATE ON BACK)

2

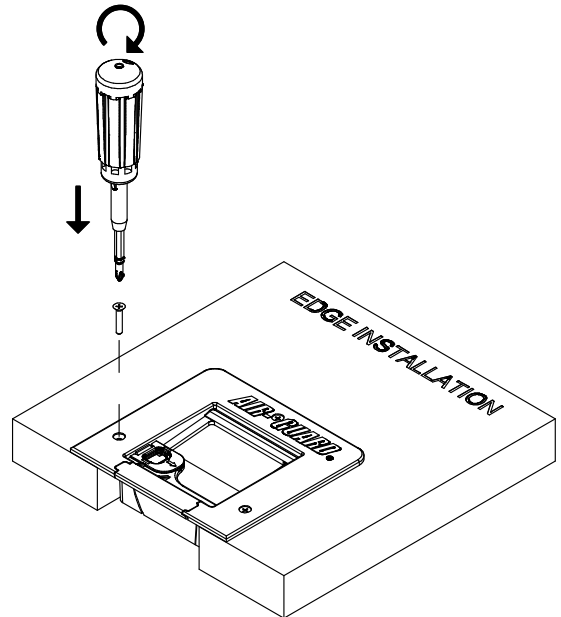


CUT ACCESS FLOOR PANEL WITH MANUFACTURERS
RECOMMENDED METHOD. BE SURE TO FOLLOW ALL
RECOMMENDED SAFETY PROCEDURES.

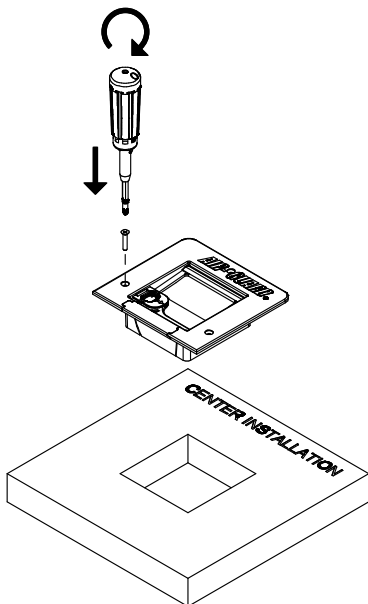
3



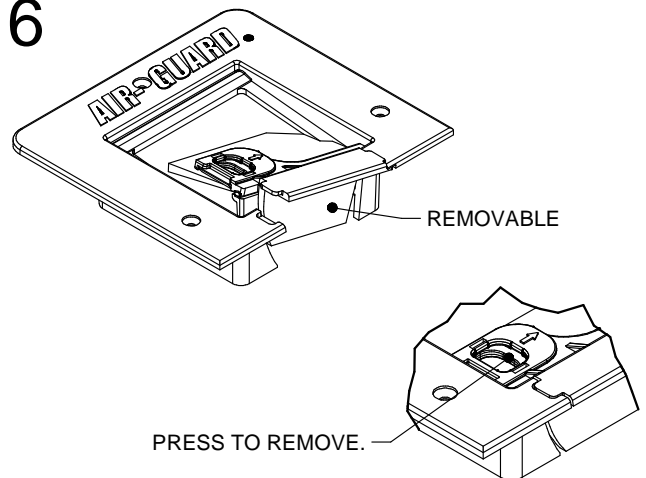
4



5



6



REMOVABLE BRUSH FEATURE ALLOWS
PANEL REMOVAL WITHOUT "TRAPPING" CABLES.

AIR GUARD PN 116-800-030

