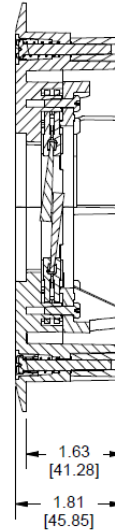
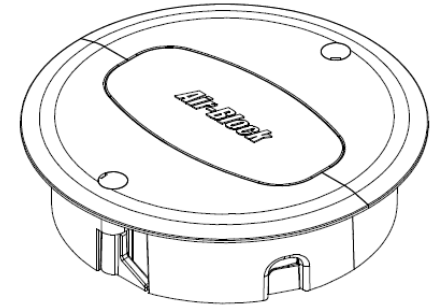


SECTION B-B
SCALE 1 / 2



SECTION A-A
SCALE 1 / 2



NOTES:

1. RECOMMENDED FLOOR TILE CUT-OUT DIMENSIONS.
- \varnothing 6.0" [152.4MM] DIAMETER CUT-OUT

AIR|GUARD[®]
the cool choice.™

Air Guard Air-Block 6.0" Brush Option Dimensional Drawing

This document and the information on it is the property of PDU Cables.
PDU Cables is a trademark of Engineered Products Company.

Drawing No.:		Page 1 of	1
Date:	01/14/2010	Revision	1
Part No.:	116-800-060		