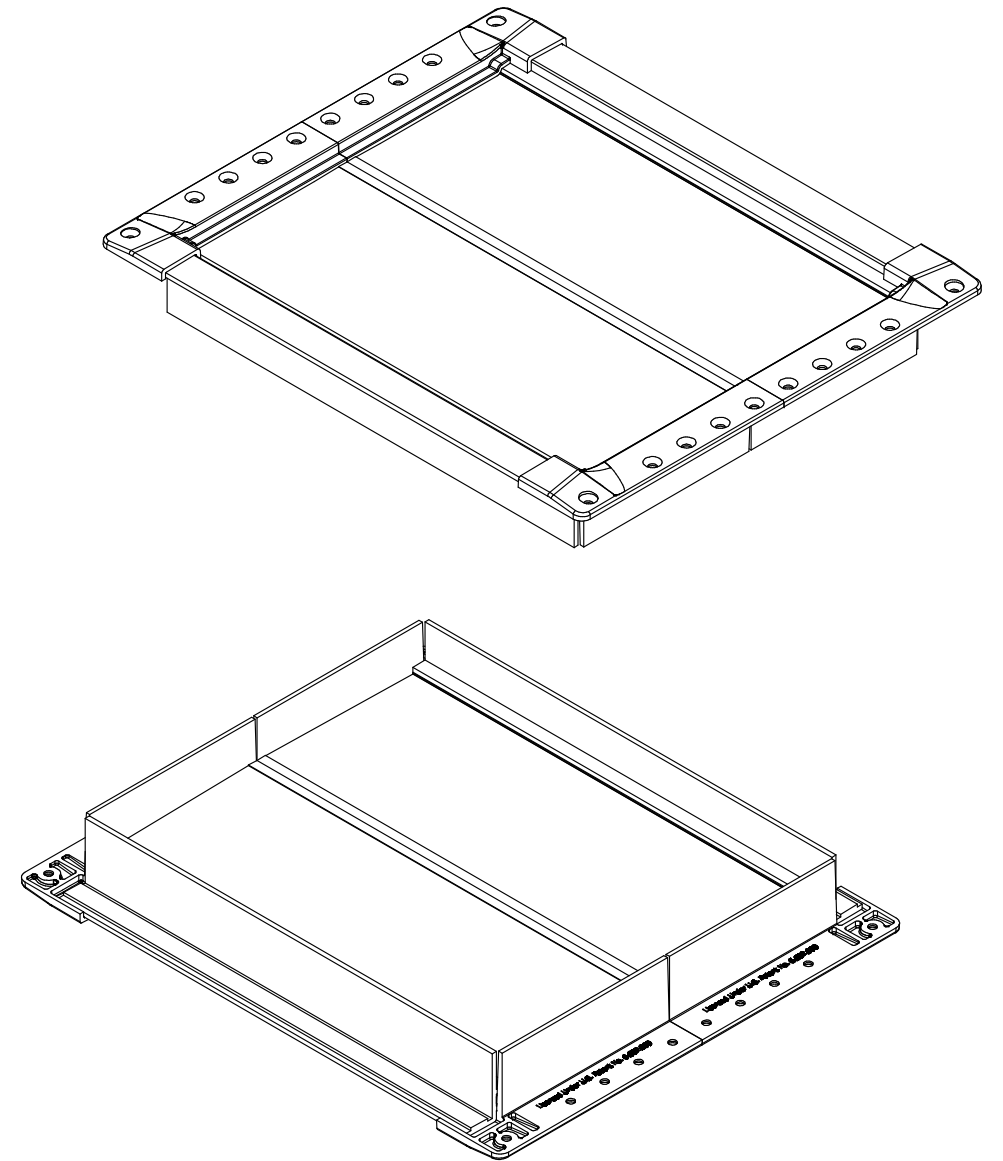
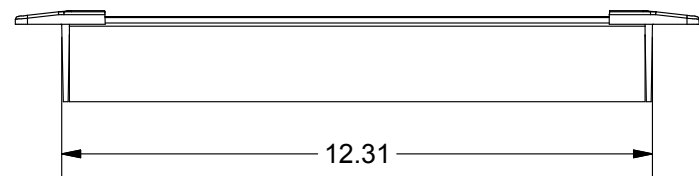


SECTION A-A  
SCALE 1 / 4



**AIRGUARD<sup>®</sup>**  
the cool choice.™

**Air Guard 12" Field Kit Dimensional Drawing**

This document and the information on it is the property of PDU Cables. PDU Cables is a trademark of Engineered Products Company.

Drawing No.:	350005	Page 1 of	1
Date:	12/18/2008	Revision	1
Part No.:	116-800-020		

NOTES:

- 1 THESE ARE THE MAXIMUM DIMENSIONS FOR EACH KIT -THE BRUSHES CAN BE CUT TO FIT EACH APPLICATION -THIS DRAWING WILL PROVIDE MAXIMUM DIMENSIONS.