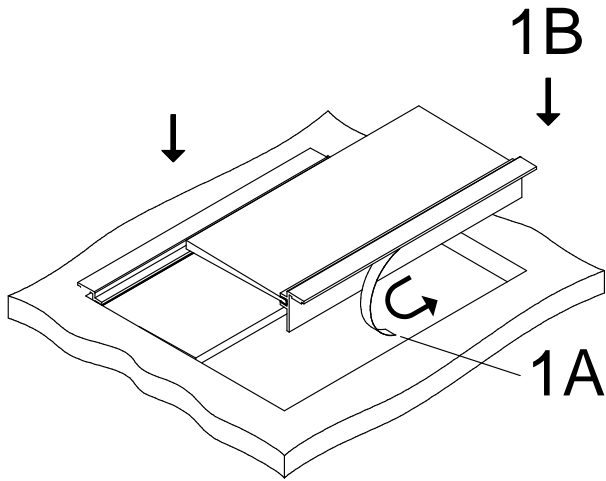
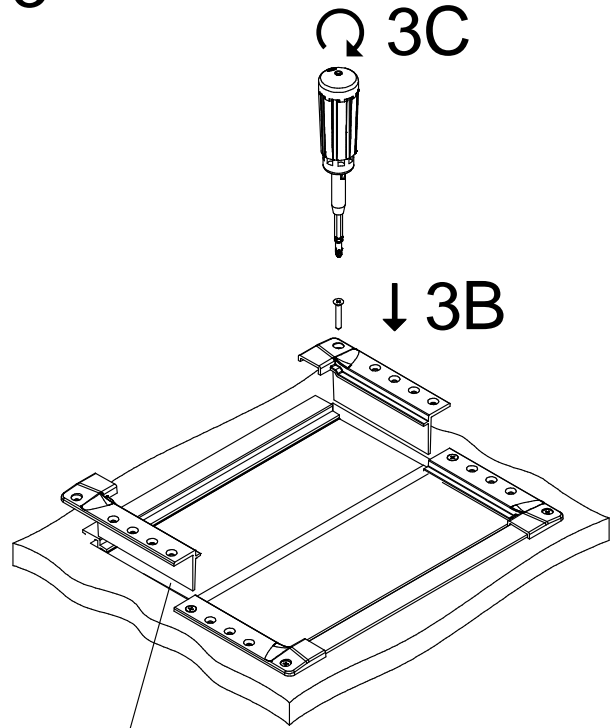


1



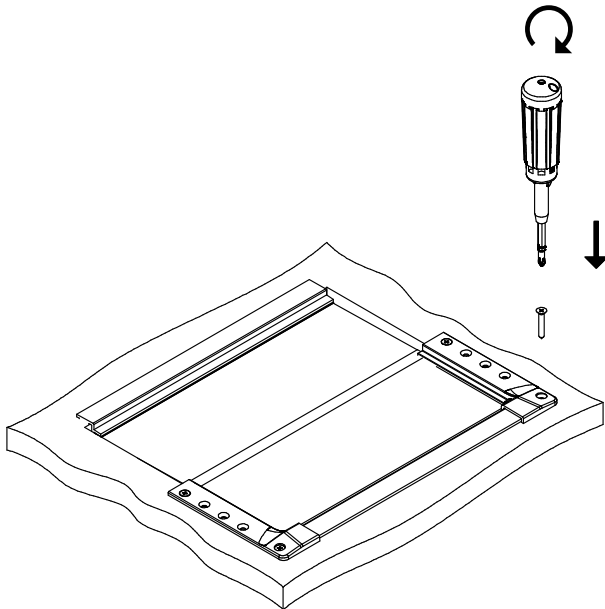
CUT BRUSH IF NECESSARY TO FIT OPENING- ALLOW 1/2" FOR SIDE RAILS- EXAMPLE- IF OPENING IS 10", CUT BRUSH AT 9 1/2" WHICH WILL ALLOW LEFT AND RIGHT SIDE RAILS TO BE ATTACHED. WE SUGGEST CRIMPING ENDS OF METAL BRUSH RETAINER TO MINIMIZE LOSS OF FILAMENTS; HOWEVER, THE SIDE RAILS ARE DESIGNED TO CAP THE BRUSH EXTRUSION AND WILL ELIMINATE FILAMENT LOSS.

3



FULL LENGTH OR CUT AS REQUIRED 3A

2



4

