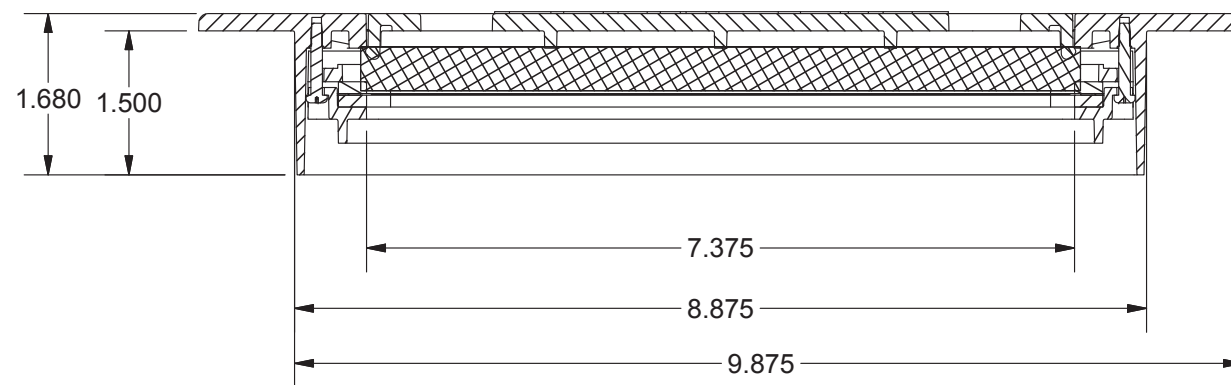


SECTION A-A
SCALE 1 / 2

NOTES:

- RECOMMENDED FLOOR TILE CUT-OUT DIMENSIONS.
 - CENTER OF TILE = 6.5 X 9.0
 - LONG SIDE OF GROMMET ON EDGE OF TILE = 7.5 X 9.0
 - SHORT SIDE OF GROMMET ON EDGE OF TILE = 6.5 X 10.0



SECTION B-B
SCALE 1 / 2

AIRGUARD[®]
the cool choice.™

Air Guard Extreme Dimensional Drawing

This document and the information on it is the property of PDU Cables. PDU Cables is a trademark of Engineered Products Company.

Drawing No.:	350006	Page 1 Of	1
Date:	12/10/2008	Revision	1
Part No.:	116-800-015		