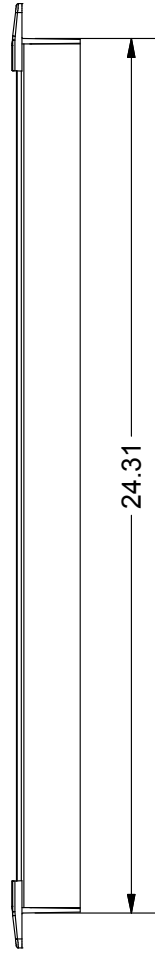
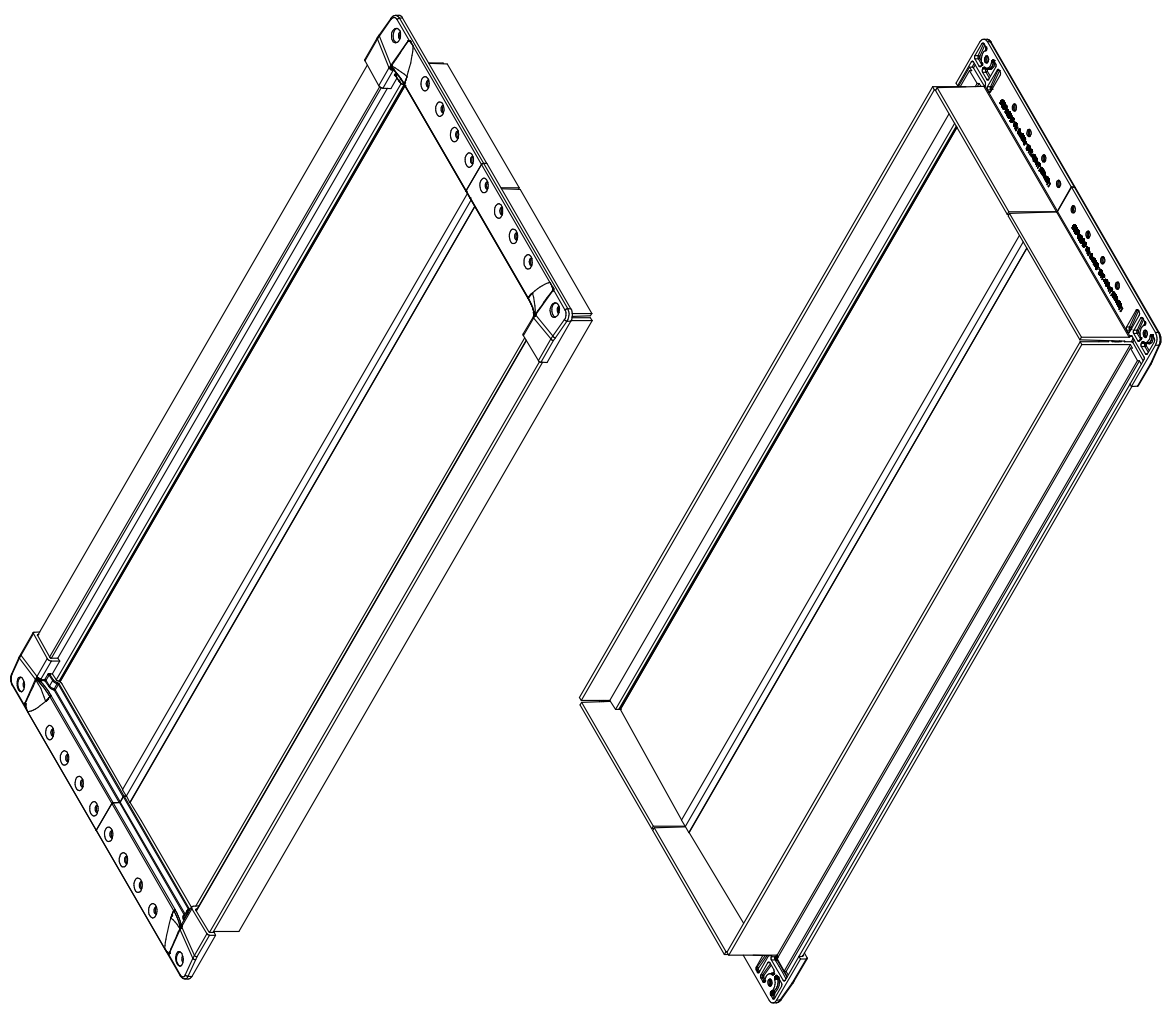


SECTION A-A
SCALE 3/16



NOTES:

- 1 THESE ARE THE MAXIMUM DIMENSIONS FOR EACH KIT - THE BRUSHES CAN BE CUT TO FIT EACH APPLICATION - THIS DRAWING WILL PROVIDE MAXIMUM DIMENSIONS.

AIRGUARD®
the cool choice.™

Air Guard 24" Field Kit Dimensional Drawing

This document and the information on it is the property of PDU Cables. PDU Cables is a trademark of Engineered Products Company.

Drawing No.:	350006	Page 1 of	1
Date:	12/18/2008	Revision	1
Part No.:	116-800-022		